



特点与使用范围:

采用独特的叶轮，各种颗粒等杂物都能顺利通过、不堵塞。用于各种污水的抽送。

Applications

Able to transfer impurities such as particles easily due to its unique impeller design. Used to handle various kinds of wastewater.

说明

1. 电缆线: 标准长度为10米
2. 介质温度: 104°F(40°C)
3. 电机: 绝缘等级B级, 防护等级IP68
4. 单相泵: 内装保护开关
5. 其他: 单相泵可选配浮子开关

Specifications

1. Power Cable: Standard cord is 10m
2. Liquid Temperature: 104°F(40°C)continuous
3. Motor: B insulation class, IP68 protection
4. Single Phase: Built in thermal protector
5. Accessories: Float switch is available

主要零件材料

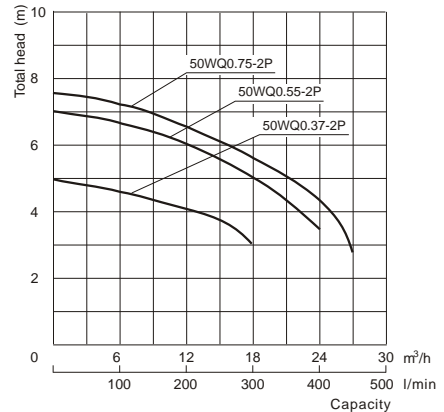
1. O形密封圈: 丁腈橡胶
2. 电机壳: 铸铁
3. 转轴: 2Cr13钢
4. 双端面机械密封: 丁腈橡胶
电机端: 石墨/碳化硅
泵端: 碳化硅/碳化硅
5. 叶轮: 铸铁
6. 涡壳: 铸铁

Part Specifications

1. O-ring: Buna-N
2. Motor Housing: Cast iron
3. Shaft: 2Cr13 steel
4. Double-sided Mechanical Seal: Buna-N elastomers
Motor side: Carbon VS Silicon Carbide
Pump side: Silicon Carbide VS Silicon Carbide
5. Impeller: Cast iron
6. Pump Casing: Cast iron



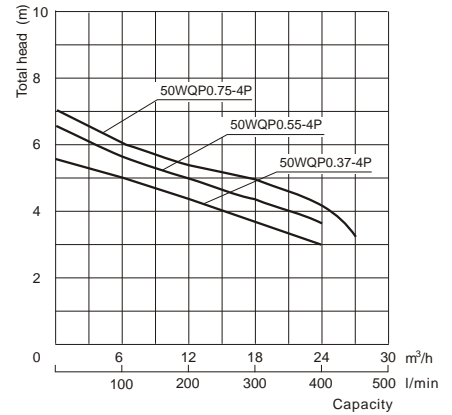
50WQ



技术参数 Specification

型号 Model	电压、频率 Voltage, Frequency	功率 Output Power	电容 Capacitor	通过颗粒直径 Solids Handling	l/min m ³ /h	Capacity									
						0	50	100	150	200	250	300	350	400	450
50WQ0.37-2P	220V, 50Hz	0.37kW	16 μf	38mm	5	4.8	4.6	4.4	4.1	3.6	3				
50WQ0.55-2P	220V, 50Hz	0.55kW	25 μf	38mm	7	6.8	6.6	6.4	6	5.6	5	4.3	3.5		
50WQ0.75-2P	220V, 50Hz	0.75kW	25 μf	38mm	7.5	7.3	7	6.8	6.5	6.2	5.6	5	4.3	2.8	

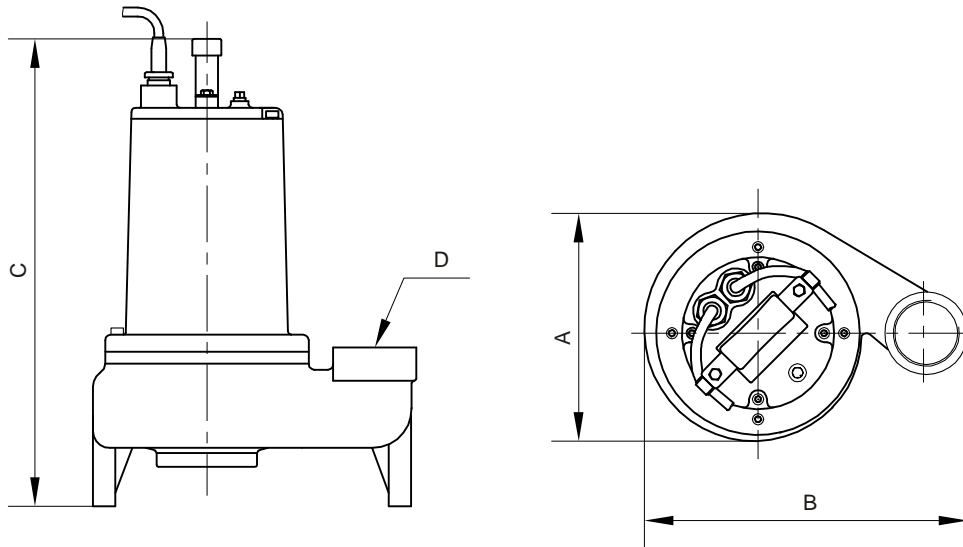
* 其他电源可根据用户要求提供。 Other voltage and frequency are available if required.



技术参数 Specification

型号 Model	电压、频率 Voltage, Frequency	功率 Output Power	电容 Capacitor	通过颗粒直径 Solids Handling	H (m)	l/min	0	50	100	150	200	250	300	350	400	450
						m³/h	0	3	6	9	12	15	18	21	24	27
50WQP0.37-4P	220V, 50Hz	0.37kW	16 μf	38mm	H	5.5	5.2	5	4.6	4.2	4	3.8	3.4	3		
50WQP0.55-4P	220V, 50Hz	0.55kW	20 μf	38mm		6.5	5.7	5.5	5.2	4.9	4.7	4.5	4.2	3.6		
50WQP0.75-4P	220V, 50Hz	0.75kW	20 μf	38mm		7	6.2	6	5.8	5.4	5.2	5	4.8	4.2	3.2	

* 其他电源可根据用户要求提供。 Other voltage and frequency are available if required.



尺寸 Dimensions

型号 Model	A mm	B mm	C mm	D Discharge	包装尺寸 Packing Size (mm)	重量 N.W.
50WQ0.37-2P	190	280	430	G 2" F	220 × 310 × 470	20kg
50WQ0.55-2P	190	280	430	G 2" F	220 × 310 × 470	22kg
50WQ0.75-2P	190	280	430	G 2" F	220 × 310 × 470	25kg
50WQP0.37-4P	210	300	430	G 2" F	220 × 310 × 470	24kg
50WQP0.55-4P	210	300	430	G 2" F	220 × 310 × 470	24kg
50WQP0.75-4P	210	300	430	G 2" F	220 × 310 × 470	27kg