



特点与使用范围:

采用独特的叶轮，各种颗粒、纤维等杂物都能顺利通过、不堵塞。用于各种污水的抽送。

Applications

Able to transfer impurities such as particles and fibers easily due to its unique impeller design. Used to handle various kinds of wastewater.

说明

1. 电缆线: 标准长度为10米
2. 介质温度: 104°F(40°C)
3. 电机: 绝缘等级B级, 防护等级IP68
4. 单相泵: 内装保护开关
5. 其他: 单相泵可选配浮子开关

Specifications

1. Power Cable: Standard cord is 10m
2. Liquid Temperature: 104°F(40°C)continuous
3. Motor: B insulation class, IP68 protection
4. Single Phase: Built in thermal protector
5. Accessories: Float switch is available

主要零件材料

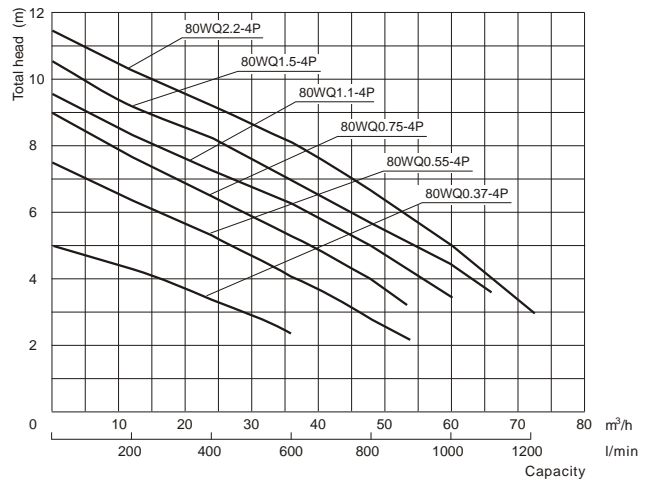
1. O形密封圈: 丁腈橡胶
2. 电机壳: 铸铁
3. 转轴: 2Cr13钢
4. 双端面机械密封: 丁腈橡胶  
电机端: 石墨/碳化硅  
泵端: 碳化硅/碳化硅
5. 叶轮: 铸铁
6. 涡壳: 铸铁

Part Specifications

1. O-ring: Buna-N
2. Motor Housing: Cast iron
3. Shaft: 2Cr13 steel
4. Double-sided Mechanical Seal: Buna-N elastomers  
Motor side: Carbon VS Silicon Carbide  
Pump side: Silicon Carbide VS Silicon Carbide
5. Impeller: Cast iron
6. Pump Casing: Cast iron



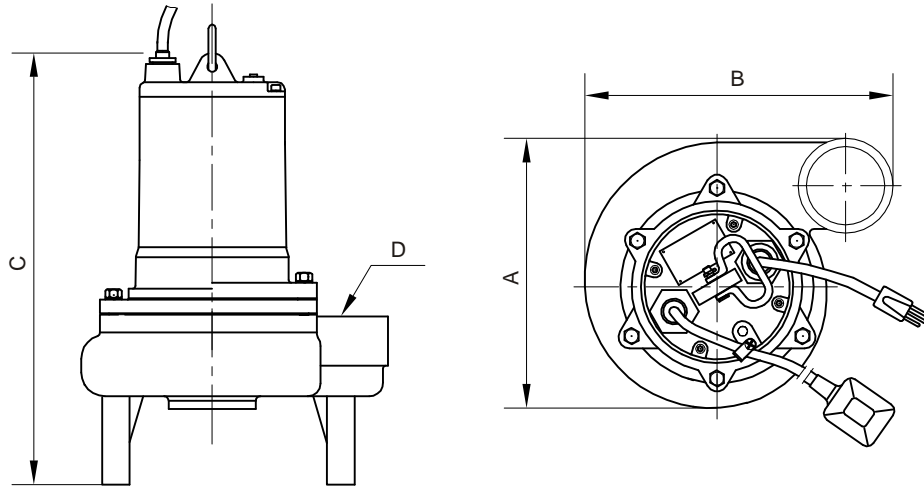
80WQ



技术参数Specification

型号 Model	电压、频率 Voltage, Frequency	功率 Output Power	电容 Capacitor	通过颗粒直径 Solids Handling	H (m)	l/min	0	100	200	400	600	800	1000
						m <sup>3</sup> /h	0	6	12	24	36	48	60
80WQ0.37-4P	220V, 50Hz	0.37kW	16 μf	50mm	H (m)	5	4.8	4.3	3.4	2.3			
80WQ0.55-4P	220V, 50Hz	0.55kW	20 μf	50mm		7.5	6.8	6.2	5.2	4	2.9		
80WQ0.75-4P	220V, 50Hz	0.75kW	25 μf	50mm		9	8	7.3	6.5	5.2	4		
80WQ1.1-4P	220V, 50Hz	1.1kW	30 μf	50mm		9.5	8.8	8.3	7.2	6.2	5	3.5	
80WQ1.5-4P	380V, 50Hz	1.5kW	/	50mm		10.5	9.7	9	8.2	7	5.7	4.5	
80WQ2.2-4P	380V, 50Hz	2.2kW	/	50mm		11.5	10.9	10.3	9.2	8.2	6.8	5	

\* 其他电源可根据用户要求提供。 Other voltage and frequency are available if required.



### 尺寸 Dimensions

型号 Model	A mm	B mm	C mm	D Discharge	包装尺寸 Packing Size (mm)	重量 N.W.
80WQ0.37-4P	300	340	480	G 3" F	320 × 350 × 600	35kg
80WQ0.55-4P	300	340	480	G 3" F	320 × 350 × 600	35kg
80WQ0.75-4P	300	340	480	G 3" F	320 × 350 × 600	45kg
80WQ1.1-4P	300	340	480	G 3" F	320 × 350 × 600	45kg
80WQ1.5-4P	300	340	480	G 3" F	320 × 350 × 600	50kg
80WQ2.2-4P	300	340	480	G 3" F	320 × 350 × 600	55kg