



特点与使用范围:

叶轮使用耐磨、耐水解的聚氨酯材料，能有效地减少工作时的磨损与阻塞，适用于土木建设工程的地下水，雨水等工程用水之排水。

Applications

The impeller is made from polyurethane, this material is anti-abrasion and resistant to hydrolysis. It can effectively reduce wear and blocking during running, it applies to discharging ground water, rainwater and engineering water in civil construction.

说明

1. 电缆线: 标准长度为10米
2. 介质温度: 104°F(40°C)
3. 电机: 绝缘等级B级, 防护等级IP68
4. 单相泵: 内装保护开关
5. 其他: 单相泵可选配浮子开关

Specifications

1. Power Cable: Standard cord is 10m
2. Liquid Temperature: 104°F(40°C)continuous
3. Motor: B insulation class, IP68 protection
4. Single Phase: Built in thermal protector
5. Accessories: Float switch is available

主要零件材料

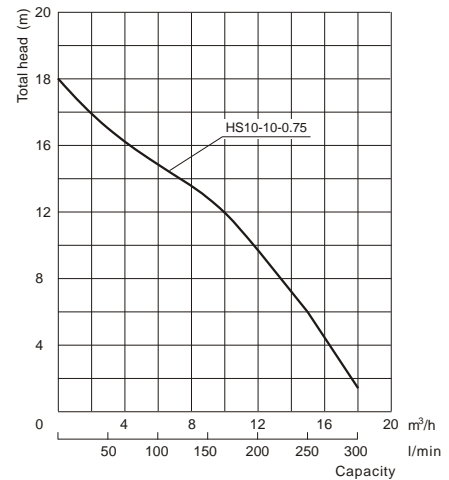
1. O形密封圈: 丁腈橡胶
2. 电机壳: 304不锈钢
3. 转轴: 2Cr13钢
4. 双端面机械密封: 丁腈橡胶
电机端: 石墨/碳化硅
泵端: 碳化硅/碳化硅
5. 叶轮: 聚氨酯
6. 涡壳: 铸铁

Part Specifications

1. O-ring: Buna-N
2. Motor Housing: 304SS
3. Shaft: 2Cr13 steel shaft
4. Double-side Mechanical Seal: Buna-N elastomers
Motor Side: Carbon VS Silicon Carbide
Pump side: Silicon Carbide VS Silicon Carbide
5. Impeller: PTMG
6. Pump Casing: Cast iron



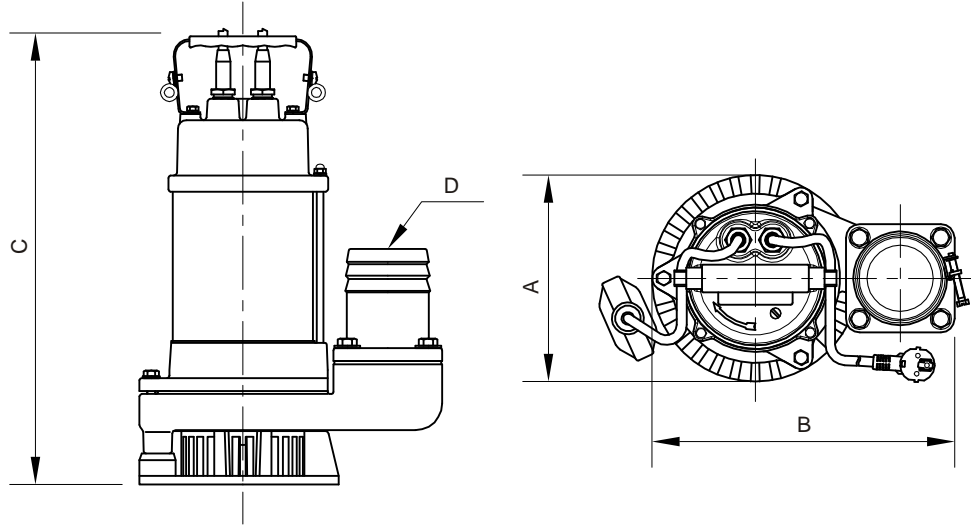
HS10-10-0.75



技术参数Specification

型号 Model	电压、频率 Voltage, Frequency	功率 Output Power	电容 Capacitor	通过颗粒直径 Solids Handling	l/min	0	50	100	150	200	250	300
					m ³ /h	0	3	6	9	12	15	18
HS10-10-0.75	220V, 50Hz	0.75kW	25 μf	4mm	H (m)	18	16.5	15	12.6	9.8	6	1.5

* 其他电源可根据用户要求提供。 Other voltage and frequency are available if required.



尺寸 Dimensions

型号 Model	A mm	B mm	C mm	D Discharge (mm)	包装尺寸 Packing Size (mm)	重量 N.W.
HS10-10-0.75	200	290	430	80	210 × 310 × 440	20kg