



## 特点与使用范围:

叶轮使用耐磨、耐水解的聚氨酯材料，能有效地减少工作时的磨损与阻塞，适用于土木建设工程的地下水，雨水等工程用水之排水。

## Applications

The impeller is made from polyurethane, this material is anti-abrasion and resistant to hydrolysis. It can effectively reduce wear and blocking during running, it applies to discharging ground water, rainwater and engineering water in civil construction.

## 说明

1. 电缆线: 标准长度为10米
2. 介质温度: 104°F(40°C)
3. 电机: 绝缘等级B级, 防护等级IP68
4. 单相泵: 内装保护开关
5. 其他: 单相泵可选配浮子开关

## Specifications

1. Power Cable: Standard cord is 10m
2. Liquid Temperature: 104°F(40°C)continuous
3. Motor: B insulation class, IP68 protection
4. Single Phase: Built in thermal protector
5. Accessories: Float switch is available

## 主要零件材料

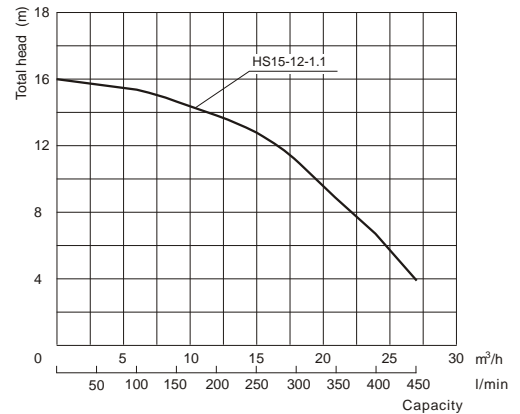
1. O形密封圈: 丁腈橡胶
2. 泵外壳: 拉伸钢
3. 电机壳: 铝合金
4. 转轴: 304不锈钢焊接
5. 双端面机械密封: 丁腈橡胶  
电机端: 石墨/碳化硅  
泵端: 碳化硅/碳化硅
6. 叶轮: 聚氨酯
7. 涡壳: 聚氨酯

## Part Specifications

1. O-ring: Buna-N
2. Pump Housing: Tensile steel
3. Motor Housing: Aluminium alloy
4. Shaft: 304SS welding shaft
5. Double-side Mechanical Seal: Buna-N elastomers  
Motor Side: Carbon VS Silicon Carbide  
Pump side: Silicon Carbide VS Silicon Carbide
6. Impeller: PTMG
7. Pump Casing: PTMG



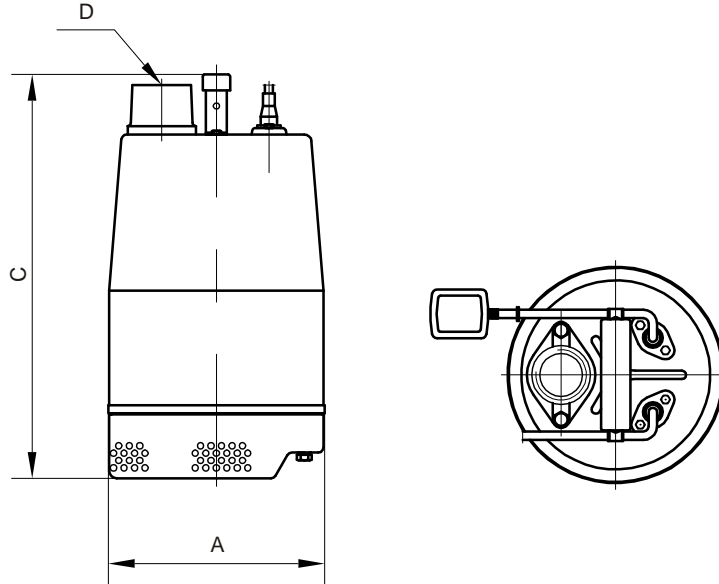
HS15-12-1.1



## 技术参数Specification

型号 Model	电压、频率 Voltage, Frequency	功率 Output Power	电容 Capacitor	通过颗粒直径 Solids Handling	Capacity									
					l/min	0	100	150	200	250	300	350	400	450
HS15-12-1.1	220V, 50Hz	1.1kW	30 $\mu$ f	6mm	0	6	9	12	15	18	21	24	27	
					H (m)	16	15.5	14.8	13.8	12.8	11	9	6.5	4

\* 其他电源可根据用户要求提供。 Other voltage and frequency are available if required.



### 尺寸 Dimensions

型号 Model	A mm	C mm	D Discharge	包装尺寸 Packing Size (mm)	重量 N.W.
HS15-12-1.1	210	390	G 1.5" F	225 × 260 × 400	20kg