



Applications

QX series are wear resistant submersible pumps and ideal for pumping water and dirty water mixed with soil, solids, etc. The pumps are used to pump surface water from building sites, wells, subways or tunnels, for lowering ground water, for irrigation, supply of industrial water, etc.

The water jacket cooled motor with the top discharge protects the motor against overheating even during sip operation.

The low weight and compact design ensure convenient transport, handling, and installation.

说明

1. 电缆线: 标准长度为10米
2. 介质温度: 104°F(40°C)
3. 电机: 绝缘等级B级, 防护等级IP68
4. 单相泵: 内装保护开关
5. 其他: 单相泵可选配浮子开关

Specifications

1. Power Cable: Standard cord is 10m
2. Liquid Temperature: 104°F(40°C)continuous
3. Motor: B insulation class, IP68 protection
4. Single Phase: Built in thermal protector
5. Accessories: Float switch is available

主要零件材料

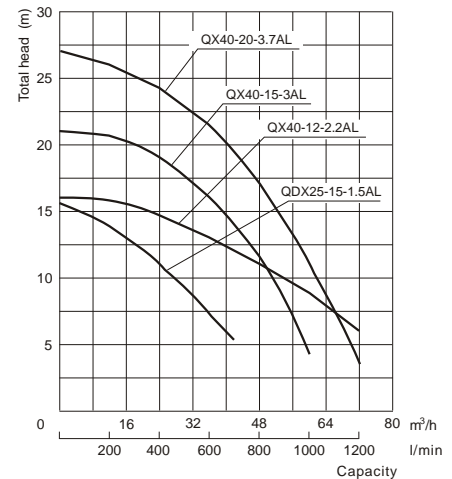
1. O形密封圈: 丁腈橡胶
2. 泵外壳: 304不锈钢
3. 电机壳: 铝合金
4. 转轴: 304不锈钢焊接
5. 双端面机械密封: 丁腈橡胶
电机端: 石墨/碳化硅
泵端: 碳化硅/碳化硅
6. 叶轮: 聚氨酯或球墨铸铁
7. 涡壳: 铝合金

Part Specifications

1. O-ring: Buna-N
2. Pump Housing: 304SS
3. Motor Housing: Aluminium alloy
4. Shaft: 304SS welding shaft
5. Double-side Mechanical Seal: Buna-N elastomers
Motor Side: Carbon VS Silicon Carbide
Pump side: Silicon Carbide VS Silicon Carbide
6. Impeller: PTMG or Ductile iron
7. Pump Casing: Aluminium alloy



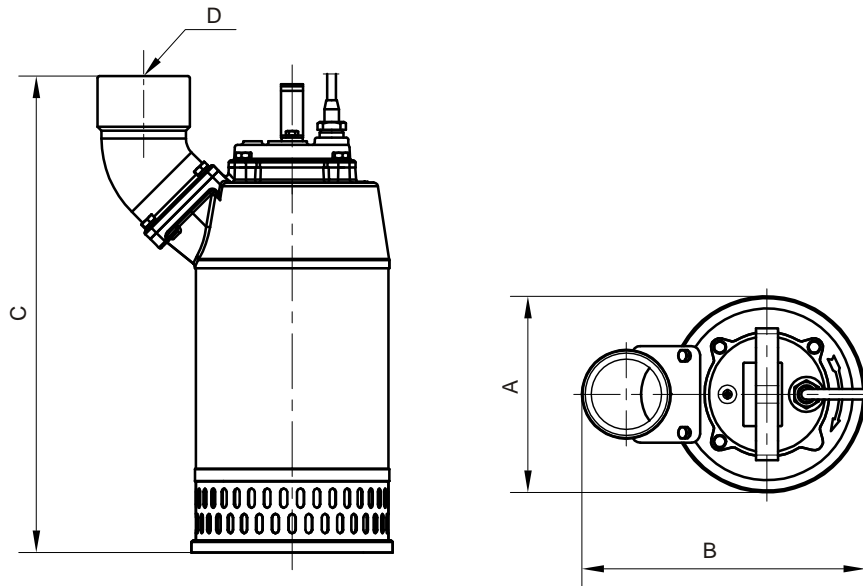
QDX-AL
QX-AL



技术参数 Specification

型号 Model	电压、频率 Voltage, Frequency	功率 Output Power	电容 Capacitor	通过颗粒直径 Solids Handling	Capacity							
					l/min m ³ /h	0	200	400	600	800	1000	1200
QDX25-12-1.5AL	220V, 50Hz	1.5kW	35 μf	8mm	H (m)	15.5	14	10.4	7			
QX40-12-2.2AL	380V, 50Hz	2.2kW	/	8mm		16	15.8	14.6	13	11	8.8	6
QX40-15-3AL	380V, 50Hz	3kW	/	8mm		21	20.6	19	16	11.5	4.2	
QX40-20-3.7AL	380V, 50Hz	3.7kW	/	8mm		27	26	24.2	21.5	17	10	3.5

* Other voltage and frequency are available if required.



尺寸 Dimensions

型号 Model	A mm	B mm	C mm	D Discharge	包装尺寸 Packing Size (mm)	重量 N.W.
QDX25-12-1.5AL	230	320	550	G 2" F	590 × 320 × 250	38kg
QX40-12-2.2AL	230	330	550	G 3" F	590 × 320 × 250	40kg
QX40-15-3AL	230	340	610	G 4" F	680 × 330 × 260	48kg
QX40-20-3.7AL	230	340	610	G 4" F	680 × 330 × 260	50kg